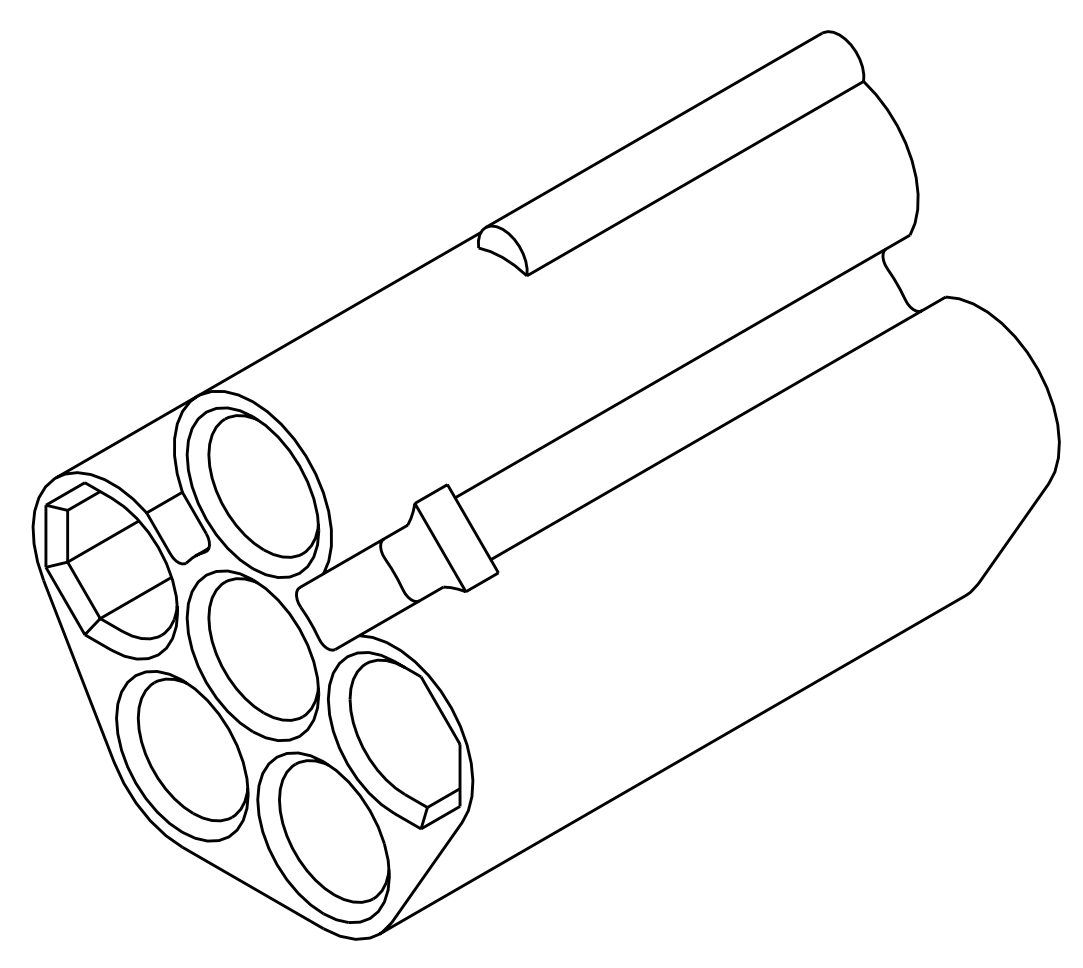
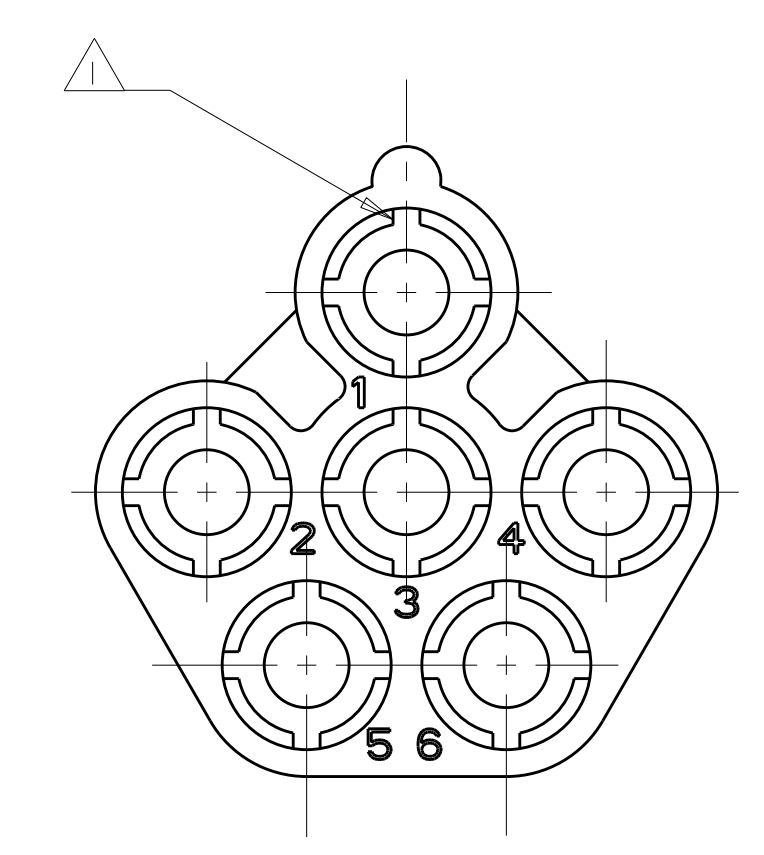
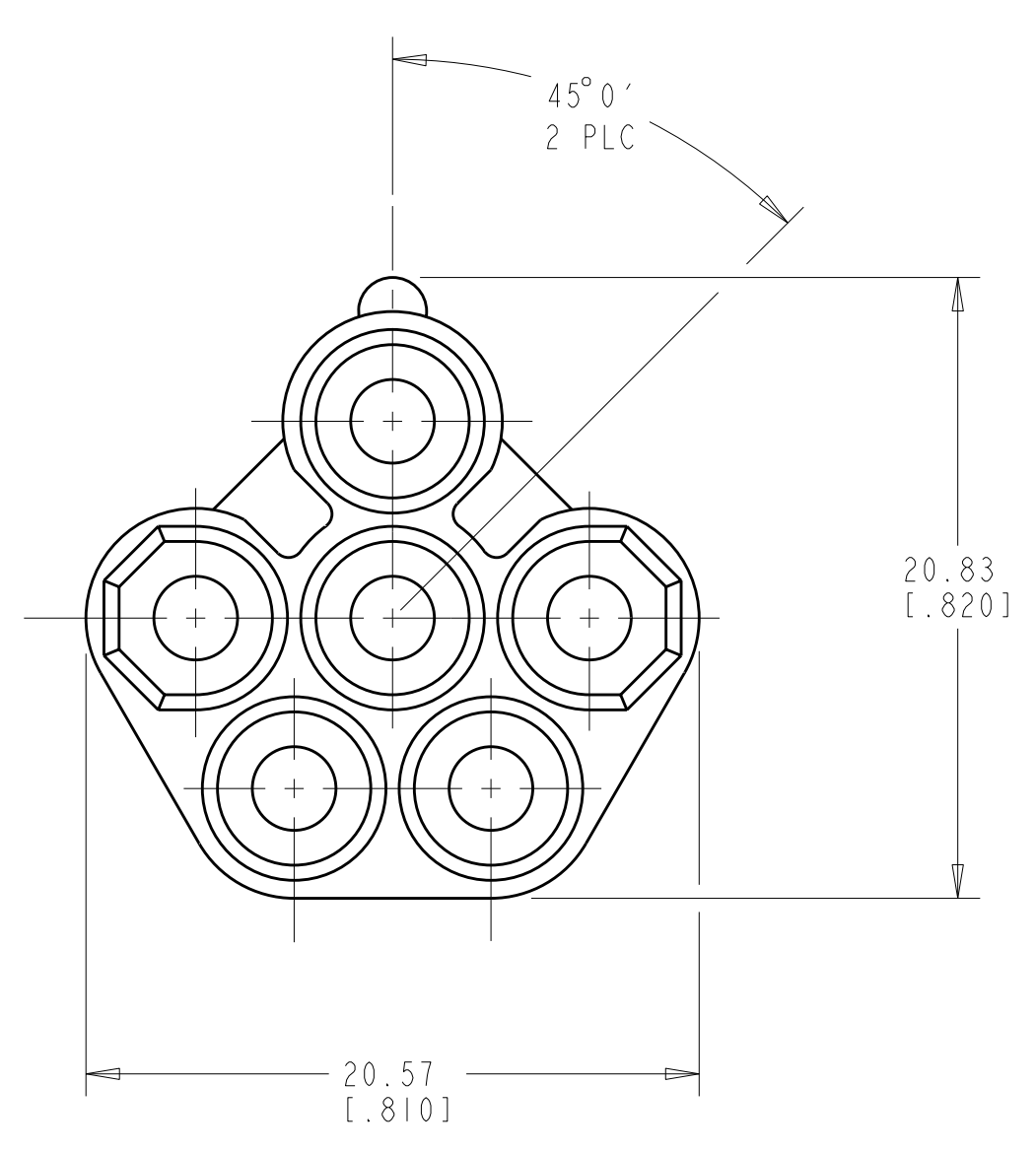
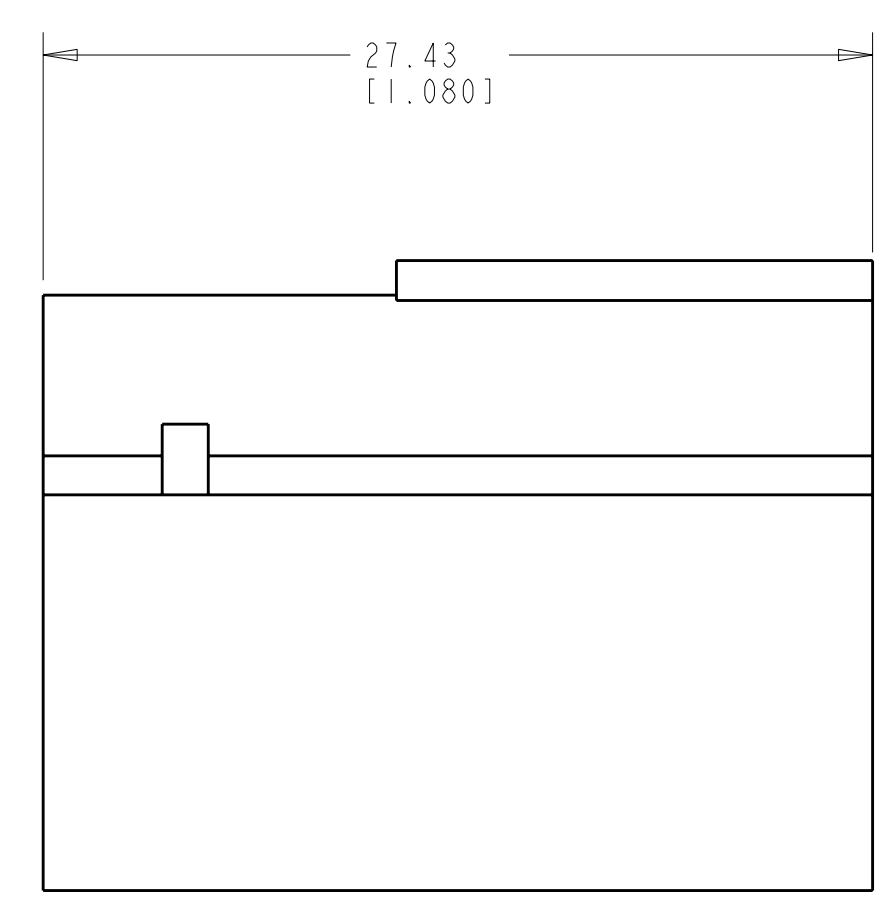
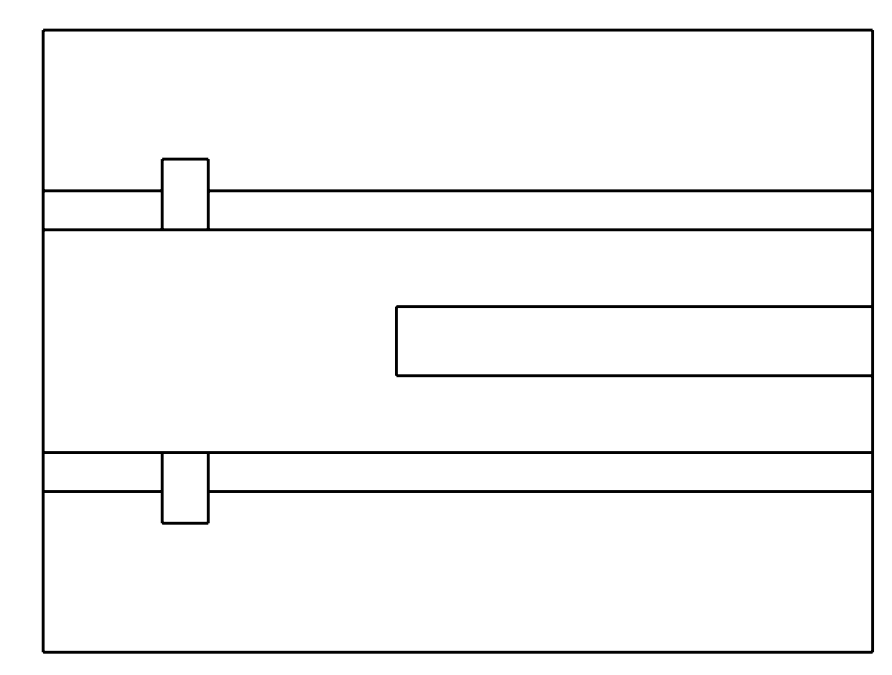


LOC	DIST	REVISIONS			
		REV	DATE	BY	APPD
CM	53	B	15-OCT-01	KW	SR
		B1	18-JAN-2007	KW	DC

FOUR RIBS EQUALLY SPACED, NO SPECIFIC ORIENTATION.



3-DIMENSIONAL MODEL
SCALE 4:1

VOLUME	COLOR	PART NUMBER
0.218 IN ³	BLACK	794912-9
0.218 IN ³	GRAY	794912-8
0.218 IN ³	BROWN	794912-7
0.218 IN ³	BLUE	794912-6
0.218 IN ³	GREEN	794912-5
0.218 IN ³	YELLOW	794912-4
0.218 IN ³	ORANGE	794912-3
0.218 IN ³	RED	794912-2
0.218 IN ³	NATURAL	794912-1

DIMENSIONS: mm [INCHES]		TOLERANCES UNLESS OTHERWISE SPECIFIED: 9 PLC ± 1 PLC ± 2 PLC ±0.131 (0.005) 3 PLC ± 4 PLC ± ANGLES ±		DWN: 23-MAR-2001 CHK: WHITAKER S. RIDGILL APVD: 23-MAR-2001 S. RIDGILL		AMP Incorporated Harrisburg, PA 17105-3608	
MATERIAL: NYLON, UL 94V-2		FINISH:		PRODUCT SPEC:		NAME: CAP, CIRCULAR, 6 CIRCUIT, UNIVERSAL MATE-N-LOK(TM)	
CUSTOMER DRAWING		WEIGHT:		SIZE: CAGE CODE: DRAWING NO: A1100779 C=794912		RESTRICTED TO:	
SCALE: 4:1		SHEET: 1 OF 1		REV: B1		Tjco Electronics	

